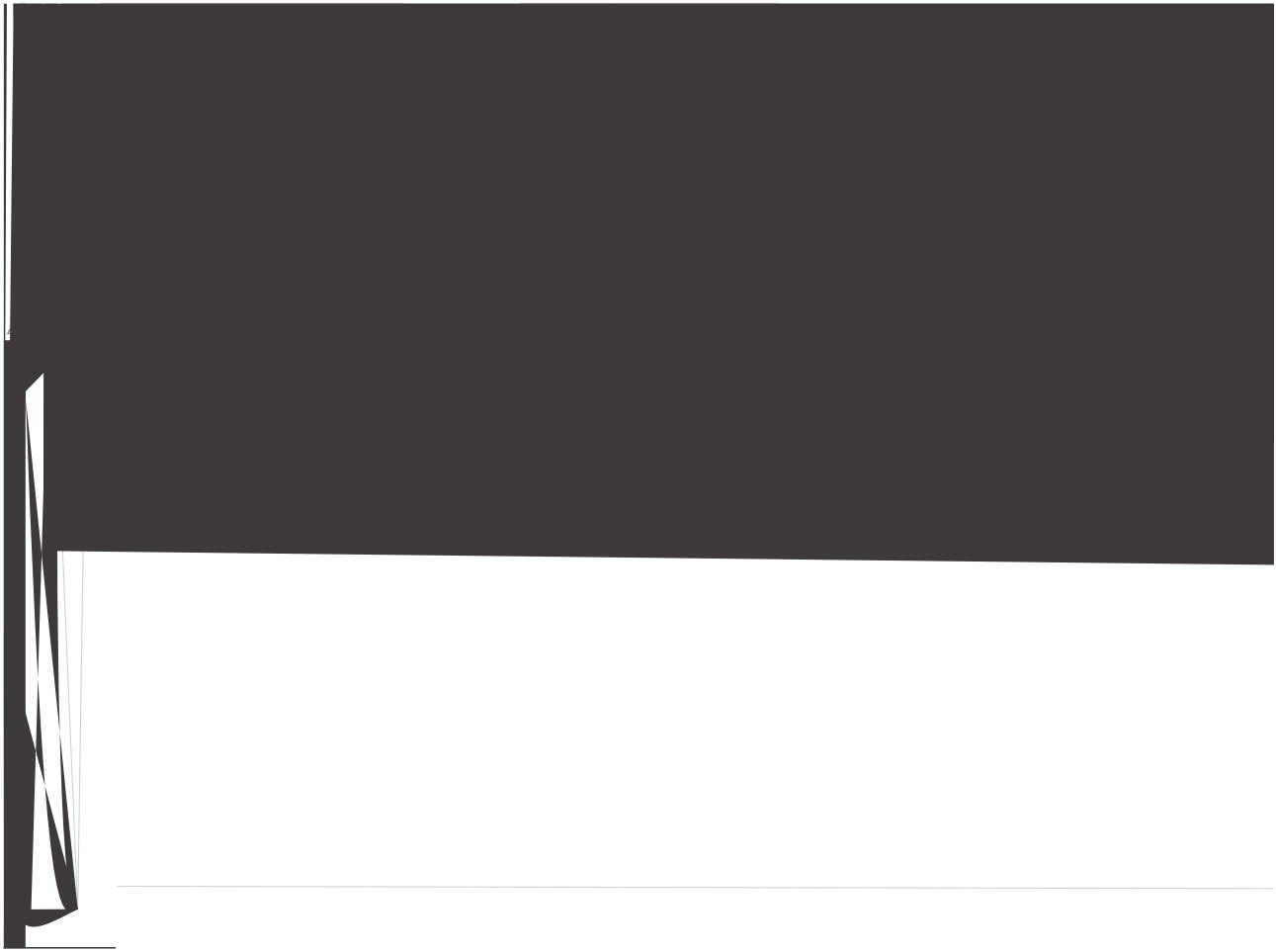




		± 2.0%	± 6.0%
		± 1.0%	± 5.0%
		± 1.0%	± 5.0%
	()	40ms/230VAC 100ms/140VAC	
	()	40ms/230VAC 15ms/140VAC	
	& () 2	150mV	
		140-310VAC 197-430VDC	
		47-440Hz	
	()	0.21A/140VAC 0.12A/230VAC	
	()	20A/140VAC 40A/230VAC	
		T1A/250V	
	()	1mA/230VAC/50Hz	
		110% load	
	4	5VDC	7.5VDC
		12VDC	16VDC
		-40 to +85 (" ")	
		95%RH max	
		-40 to +85 10-95%RH	
		0.03% (0-50)	

10-500Hz 2G 10min./1cycle 60min. each along X Y Z axes

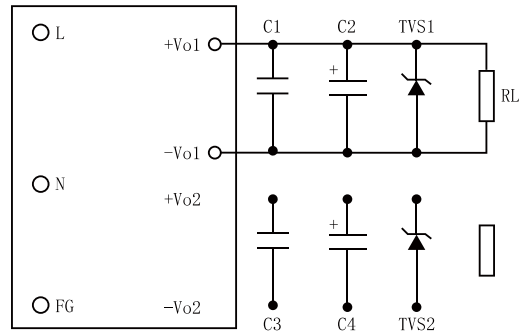


mm [inch]

± 0.10 [± 0.004]

± 0.5 mm





1. EMC EMC FP01 FP02 FP01 FP02
2. FP01 FP02 FP01 FP02

	FUSE	NTC	MOV	C1/C3	C2(μF)	C4(μF)	TVS1	TVS2
SP10-D0505R2	T1A/250V	10D-9	14D471K	0.1μF/50V	220	100	P6KE7.5A	P6KE7.5A
SP10-D0509R2							P6KE7.5A	P6KE15A
SP10-D1212R2							P6KE16A	P6KE16A
SP10-D0512R2							P6KE7.5A	P6KE16A
SP10-D0524R2							P6KE7.5A	P6KE30A



✉ sal es@zoeogo.net

☎ +86(20) 3214 4470



51 E